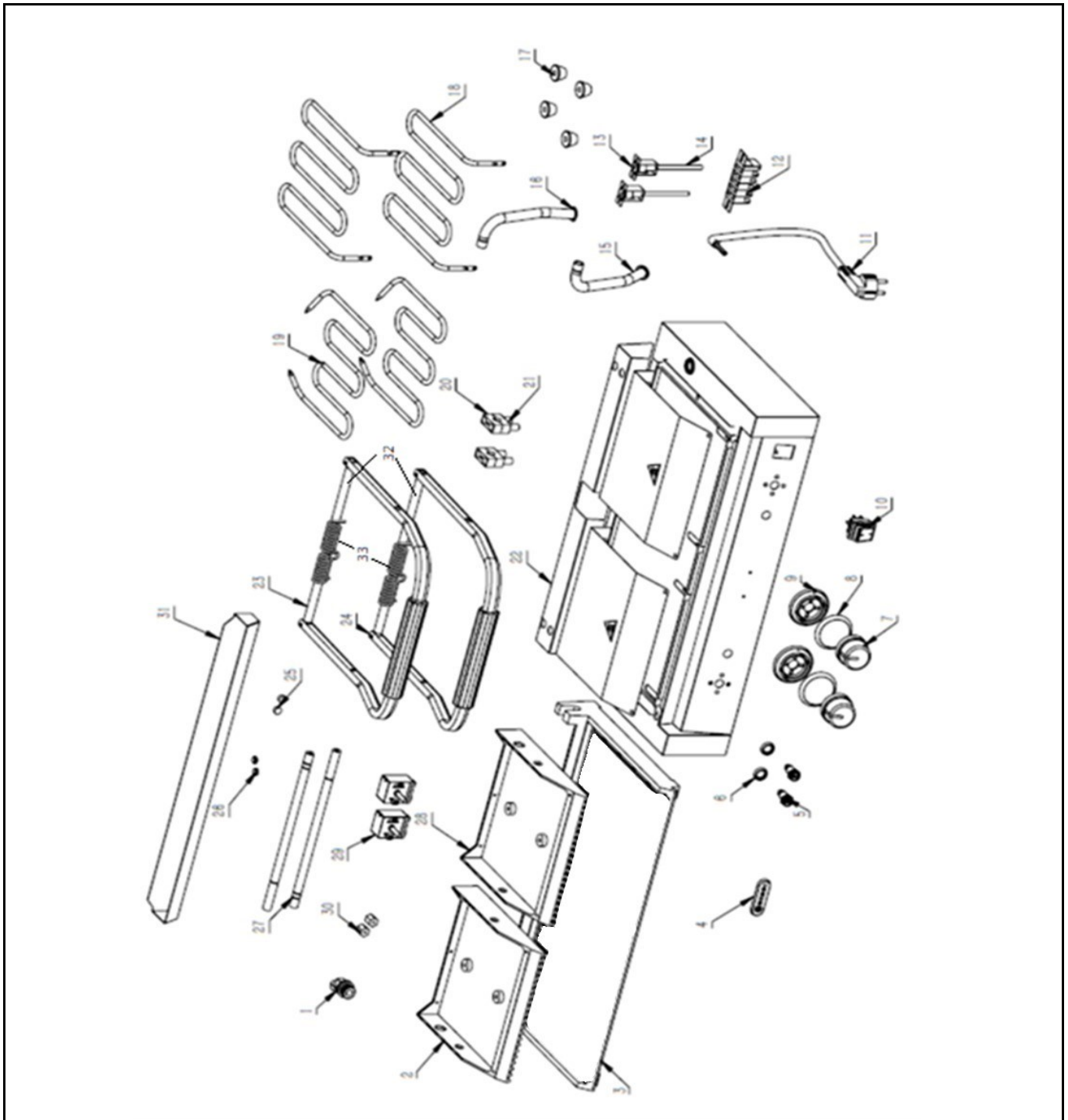


# Drawing

<b>Date</b>	03-05-2021	<b>Revision #</b>	1.2
<b>Revision</b>	Updated knob and circuit diagram.		



## Bill of materials (BOM)

<b>Date</b>	03-05-2021	<b>Revision #</b>	1.2
<b>Revision</b>	Updated knob and circuit diagram.		

Item	Description	Part#	Quantity	Remark	Picture
1	Cord inlet with retention	912201	1		
2	Upper grill plate (ribbed, right)	n/a	1		
3	Lower grill plate (ribbed)	n/a	1		
4	Logo badge Hendi	955963	1		
5	Indicator light (orange)	930533	2	Incl. item 6	
6	O-ring	nss	2	Available as 930533	
7	Knob thermostat	942222	2	Incl. item 8,9 and 30	
8	Knob scale ring	nss	2	Available as 942222	
9	Knob ground plate	nss	2	Available as 942222	
10	Switch	205426	1		
11	Power cord	912027	1		
12	Terminal	942239	1		
13	Hi-limiter	902004	2		
14	Reset pin	902042	2		
15	Wire guide tube (left)	n/a	1		
16	Wire guide tube (right)	n/a	1		
17	Feet	912058	1	Set of 4	
18	Heating element (bottom)	904510	2		
19	Heating element (top)	904503	2		
20	Brake assembly	932278	2	Incl. item 21	
21	Lower brake	nss	2	Available as 932278	
22	Housing	n/a	1		
23	Handle frame	912157	1	Includes handle	
24	Handle frame	912157	1	Includes handle	
25	Handle plug	nss	4	Available as 912157	
26	Silicone plug	nss	4	Available as 912157	
27	Lift axle	n/a	2		
28	Upper grill plate (ribbed, left)	n/a	1		
29	Thermostat	902011	2		
30	Knob insert	nss	2	Available as 942222	
31	Drip tray	263983	1		
32	Back axle	912195	2		
33	Torsion spring	901908	2		

n/a -> not available

nss -> not sold separately

# Circuit diagram

<b>Date</b>	03-05-2021	<b>Revision #</b>	1.2
<b>Revision</b>	Updated knob and circuit diagram.		

